



GEORGE LATIMER
County Executive

DEPARTMENT OF PUBLIC WORKS AND TRANSPORTATION

Hugh J. Greechan, Jr., P.E.
Commissioner

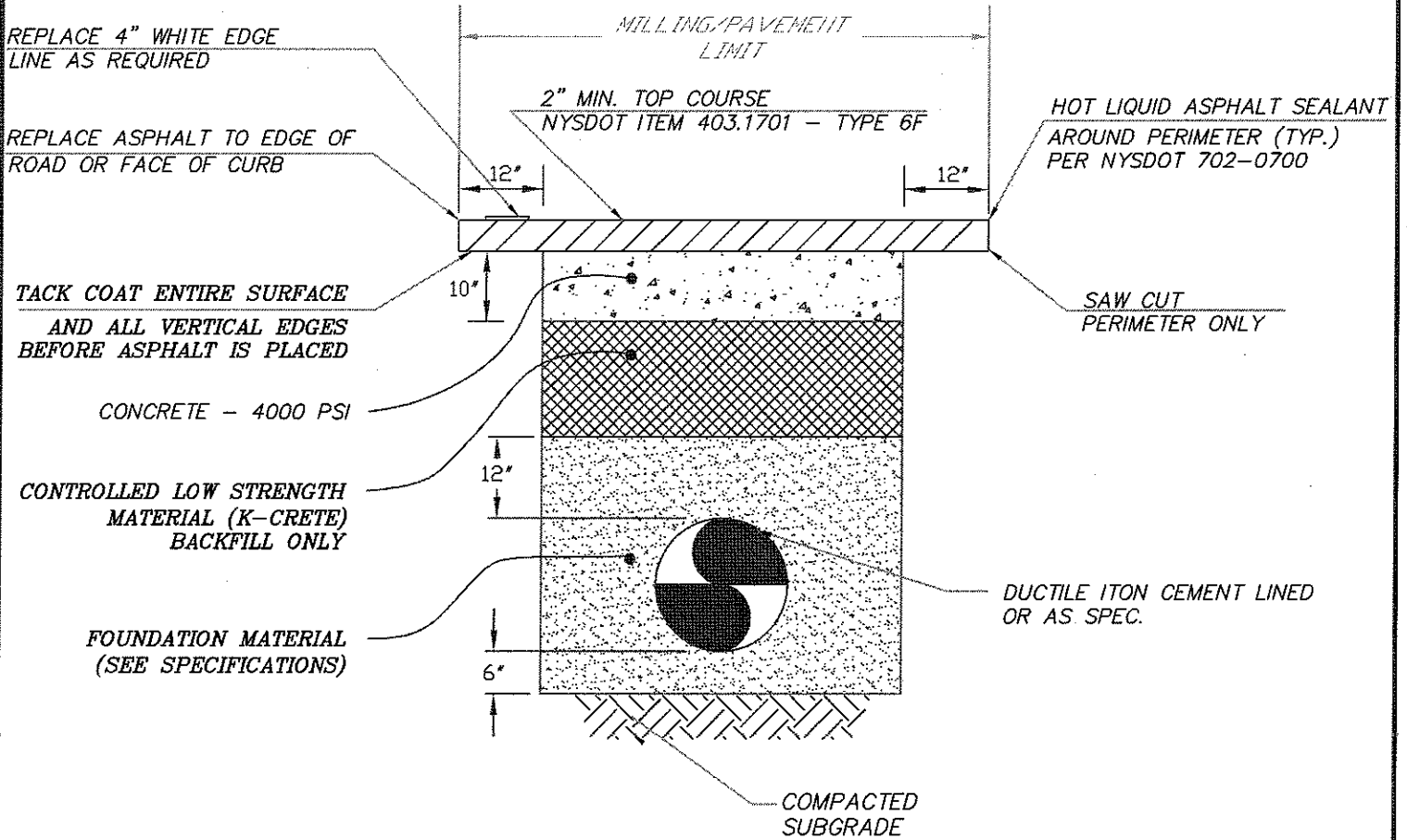
WESTCHESTER COUNTY
DEPARTMENT OF PUBLIC WORKS & TRANSPORTATION

ROAD MAINTENANCE DIVISION
198 LAKE STREET
WHITE PLAINS, NY 10604
(914) 995-4951

Superintendent of Road Maintenance- **Jim Statini**
Asst. Superintendent of Road Maintenance- **Bill Makar**
No. Westchester Engineering Inspector- **John Nicholson**
So. Westchester Engineering Inspector- **George Ireland**

PERMIT AGENT
148 MARTINE AVENUE, ROOM 522
WHITE PLAINS, NY 10601
(914) 995-2594

Permit Agent - **Michael Dispenza**



PERMANENT CONCRETE PAVEMENT REPLACEMENT WITH ASPHALT OVERLAY

COUNTY OF WESTCHESTER
DEPARTMENT OF PUBLIC WORKS
DIVISION OF ROAD MAINTENANCE

DATE:
10/29/08

PAGE NUMBER:
x of x

DRAWN BY:

SCALE:

N.T.S.

FILENAME.EXT:

WCDPW ROADWAY STANDARD DETAILS
CONCRETE PAVEMENT WITH ASPHALT OVERLAY DETAILS
WESTCHESTER COUNTY, NY

ROADWAY RESURFACING SAW CUT
PAVEMENT, HOT SEAL EDGE AND
REPAIR ASPHALT OVERLAY
AS REQUIRED.

MEET EXISTING OR 2" MIN TOP
COURSE - NYSDOT ITEM 403.16

RESTORE SURFACE
AS REQUIRED

ASPHALT
OVERLAY

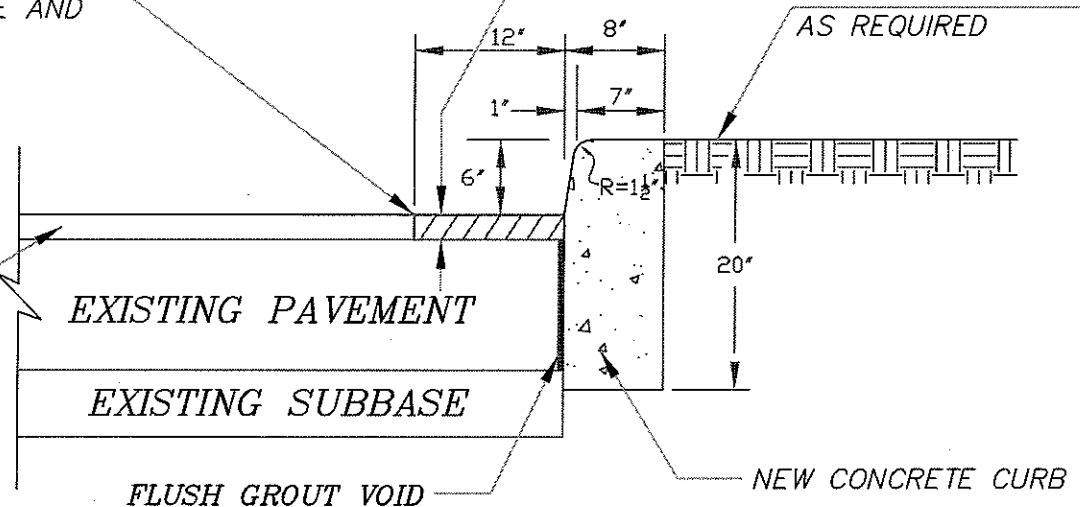
EXISTING PAVEMENT

EXISTING SUBBASE

FLUSH GROUT VOID

NEW CONCRETE CURB

CONCRETE CURB



COUNTY OF WESTCHESTER
DEPARTMENT OF PUBLIC WORKS
DIVISION OF ROAD MAINTENANCE

WCDPW ROADWAY STANDARD DETAILS
CONCRETE CURB DETAIL
WESTCHESTER COUNTY, NY

DATE:
10/29/08

PAGE NUMBER:
x of x

DRAWN BY:

SCALE:

N.T.S.

FILENAME.EXT:

ROADWAY RESURFACING SAW CUT
PAVEMENT, HOT SEAL EDGE AND
REPAIR ASPHALT OVERLAY
AS REQUIRED.

MEET EXISTING OR 2" MIN TOP
COURSE - NYSDOT ITEM 403.16

ASPHALT
OVERLAY

EXISTING PAVEMENT

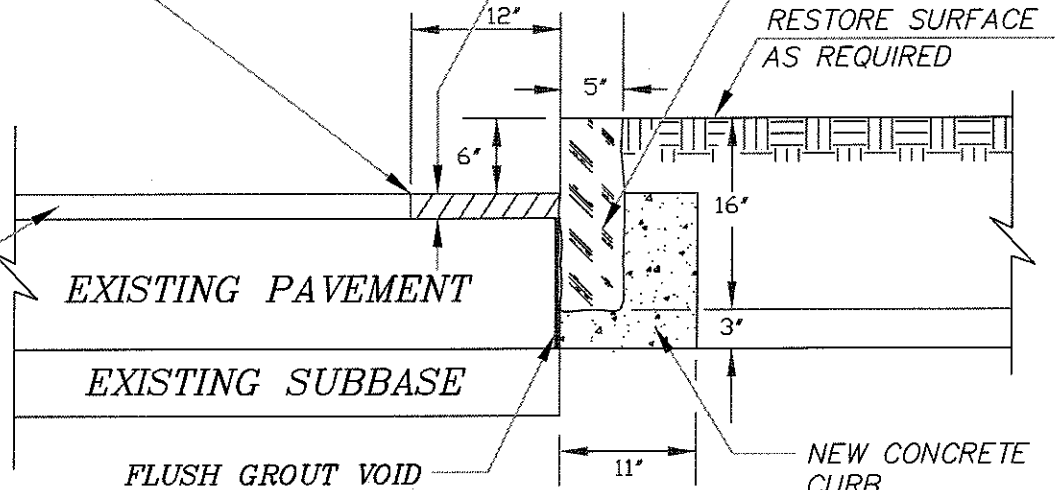
EXISTING SUBBASE

FLUSH GROUT VOID

STONE CURB

RESTORE SURFACE
AS REQUIRED

NEW CONCRETE
CURB



STONE CURB

COUNTY OF WESTCHESTER
DEPARTMENT OF PUBLIC WORKS
DIVISION OF ROAD MAINTENANCE

WCDPW ROADWAY STANDARD DETAILS
STONE CURB DETAIL
WESTCHESTER COUNTY, NY

DATE:

10/29/08

PAGE NUMBER:

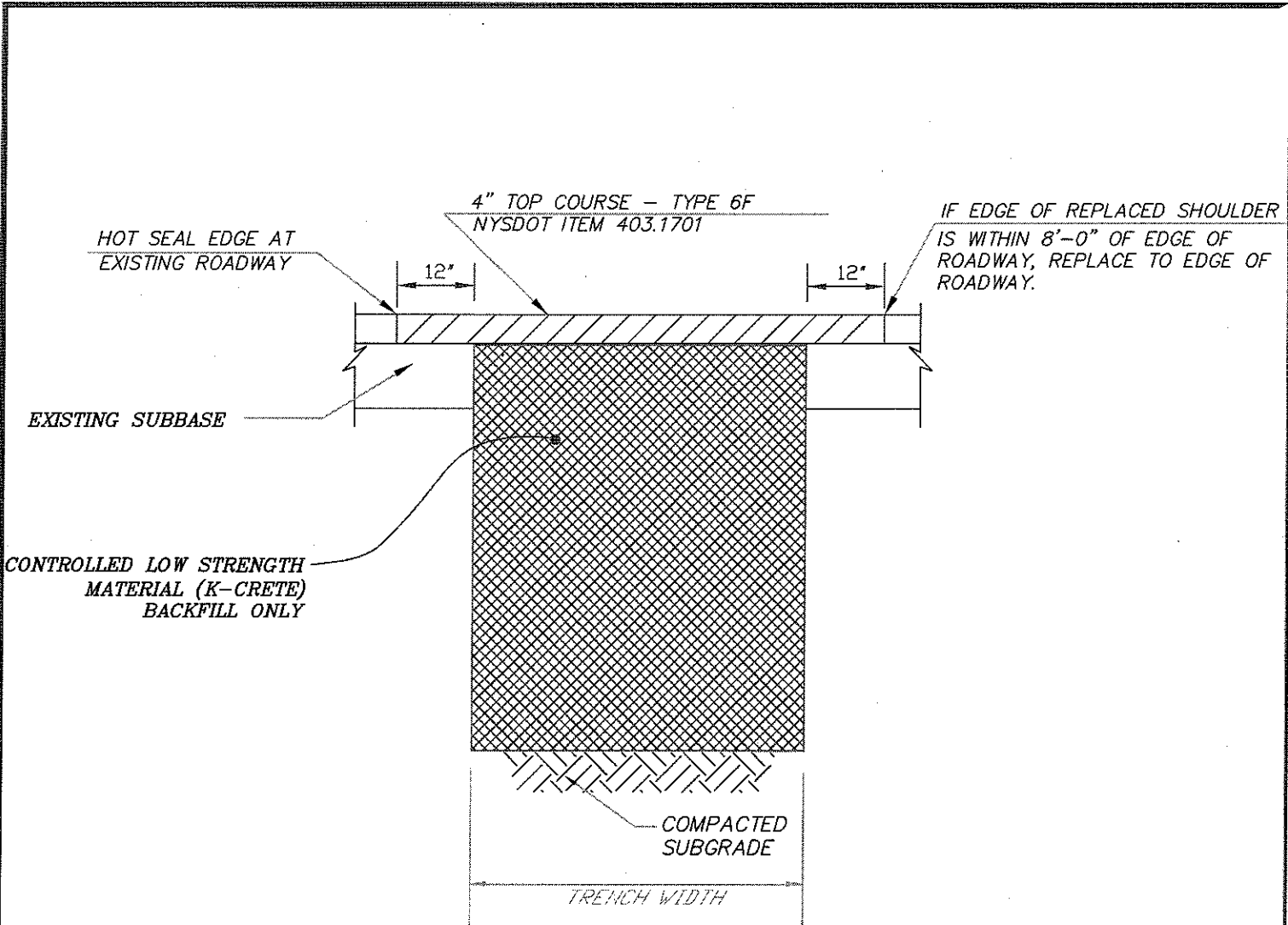
x of x

DRAWN BY:

SCALE:

N.T.S.

FILENAME.EXT:



DETAIL OF PERMENANT ASPHALT
SHOULDER REPLACEMENT

COUNTY OF WESTCHESTER
DEPARTMENT OF PUBLIC WORKS
DIVISION OF ROAD MAINTENANCE

DATE:
10/29/08

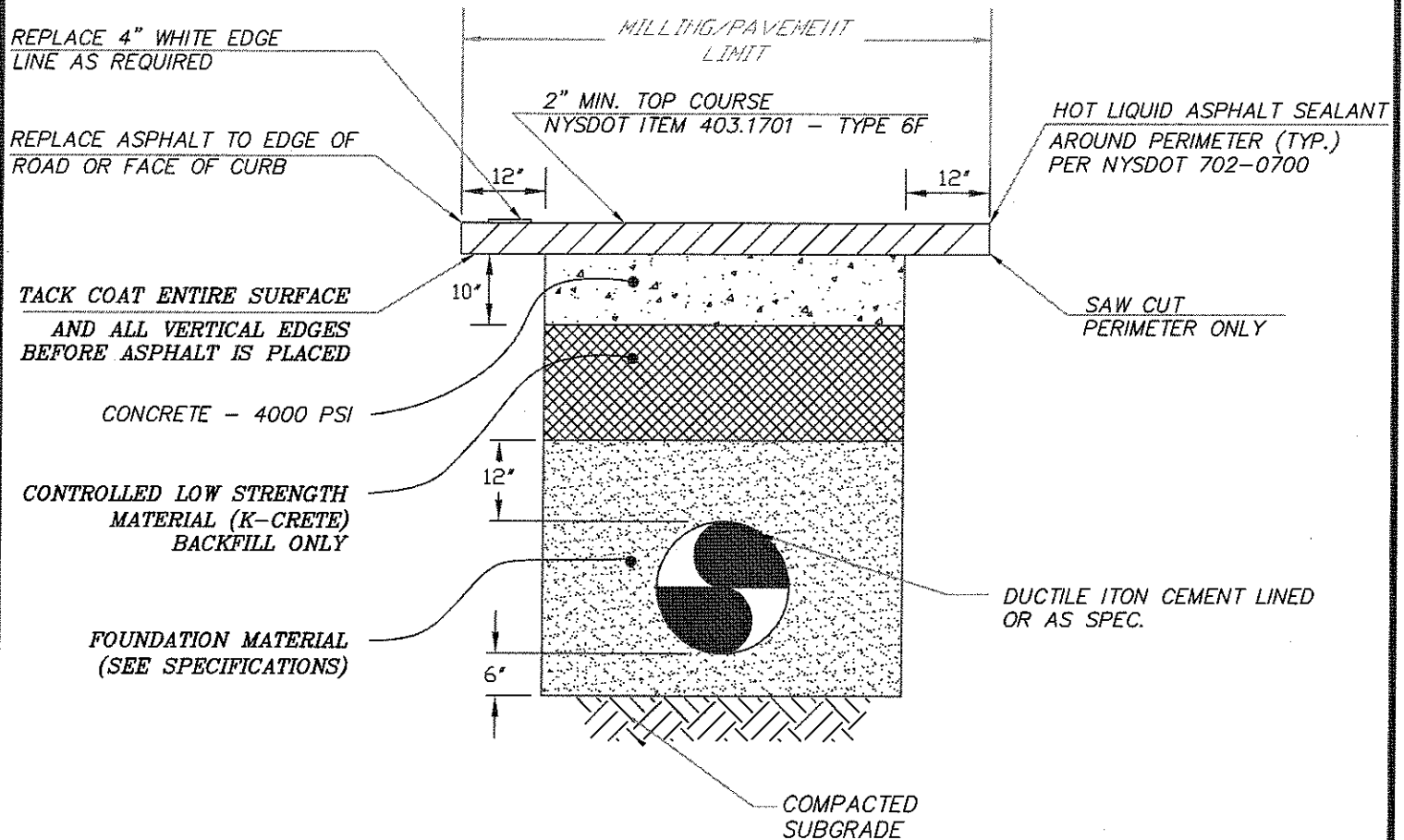
PAGE NUMBER:
x of x

DRAWN BY:

SCALE:
N.T.S.

FILENAME.EXT:

WCDPW ROADWAY STANDARD DETAILS
PERMENANT ASPHALT SHOULDER REPLACEMENT DETAILS
WESTCHESTER COUNTY, NY



1. TEMPORARY PAVEMENT REPLACEMENT WILL BE ALLOWED ONLY WHEN ASPHALT PLANTS ARE NOT IN OPERATION. WHEN TEMP. PAVEMENT IS USED, CONTRACTOR SHALL BE RESPONSIBLE FOR MAINTENANCE AND UPKEEP OF SAID PATCH UNTIL PERMENANT PATCH IS INSTALLED.
2. UPON THE AVAILABILITY OF ASPHALT, THE CONTRACTOR SHALL EXCAVATE THE "K-KRETE" BACKFILL TO THE ORDERED DEPTH AND REPLACE WITH 4000 PSI CONCRETE AND THE REQUIRED 2" THICK ASPHALT TO THE LIMITS AND SPECIFICATIONS AS SHOWN.
3. STEEL PLATES OF ADEQUATE SIZE SHALL BE PLACED OVER ALL TRENCHES UNTIL THE 4000 PSI CONCRETE PLUG IS DEEMED PASSABLE.
4. STEEL PLATES SHALL BE PINNED AS REQUIRED TO PREVENT MOVEMENT. DURING WINTER ALL STEEL PLATES SHALL BE RECESSED.

PERMENANT CONCRETE PAVEMENT REPLACEMENT WITH ASPHALT OVERLAY

COUNTY OF WESTCHESTER
DEPARTMENT OF PUBLIC WORKS
DIVISION OF ROAD MAINTENANCE

DATE:
10/29/08

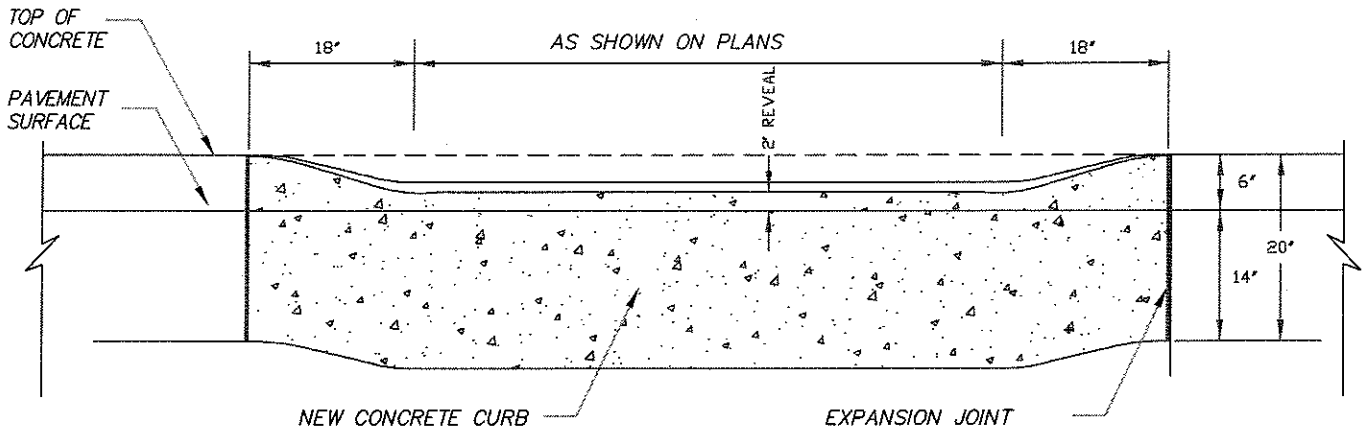
PAGE NUMBER:
x of x

DRAWN BY:

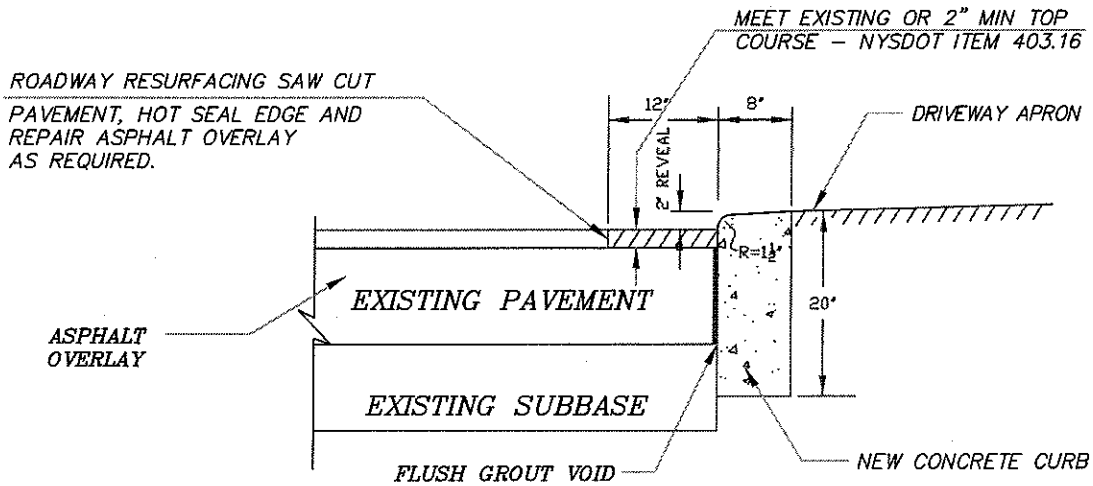
SCALE:
N.T.S.

FILENAME.EXT:

WCDPW ROADWAY STANDARD DETAILS
CONCRETE PAVEMENT WITH ASPHALT OVERLAY DETAILS
WESTCHESTER COUNTY, NY



DEPRESSED CONCRETE CURB CURB ELEVATION



DEPRESSED CONCRETE CURB SECTION

COUNTY OF WESTCHESTER
DEPARTMENT OF PUBLIC WORKS
DIVISION OF ROAD MAINTENANCE

WCDPW ROADWAY STANDARD DETAILS
DEPRESSED CURB DETAIL
WESTCHESTER COUNTY, NY

DATE:
10/29/08

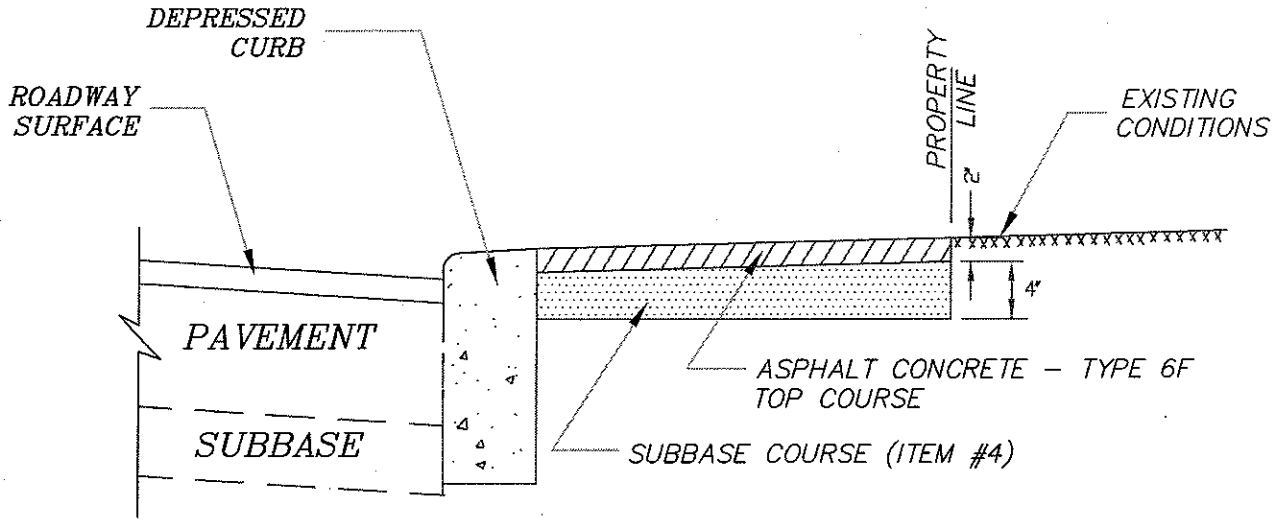
DRAWN BY:

FILENAME.EXT:

PAGE NUMBER:
x of x

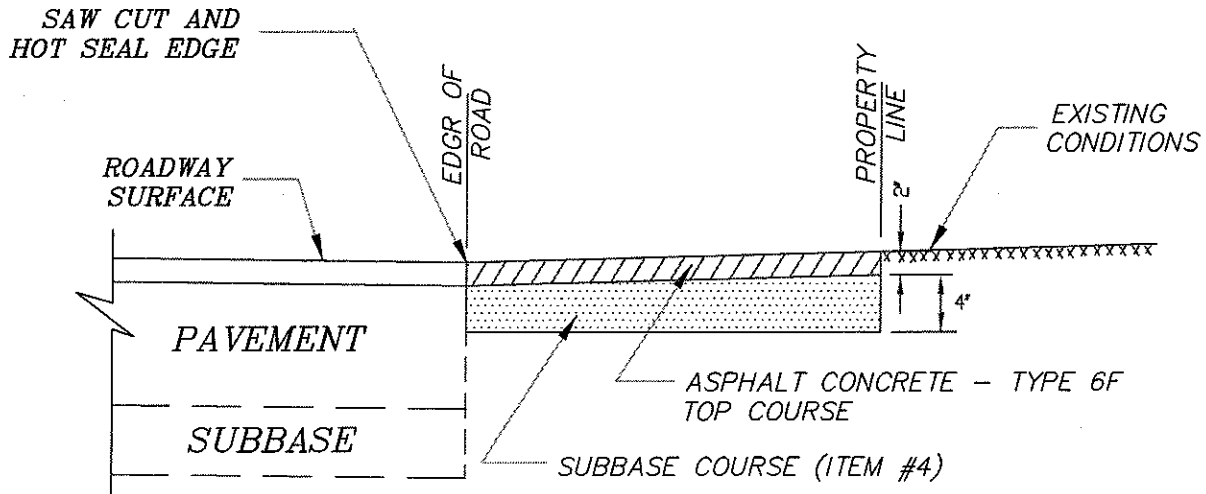
SCALE:
N.T.S.

***NOTE:** EXCAVATION OF DRIVEWAY AT PROPERTY LINE SHALL EQUAL ELEVATION OF THE CENTERLINE OF ROADWAY.



ASPHALT DRIVEWAY APRON
ADJACENT TO CURB

***NOTE:** EXCAVATION OF DRIVEWAY AT PROPERTY LINE SHALL EQUAL ELEVATION OF THE CENTERLINE OF ROADWAY.



ASPHALT DRIVEWAY APRON
ADJACENT TO ROADWAY

COUNTY OF WESTCHESTER
DEPARTMENT OF PUBLIC WORKS
DIVISION OF ROAD MAINTENANCE

WCDPW ROADWAY STANDARD DETAILS
DRIVEWAY APRON DETAILS
WESTCHESTER COUNTY, NY

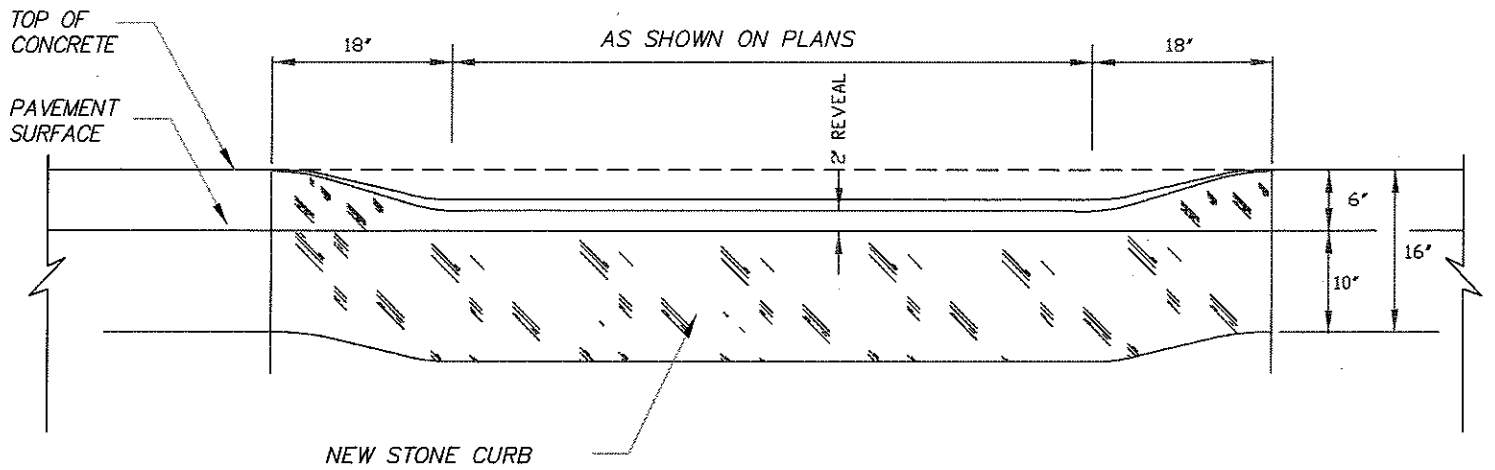
DATE:
10/29/08

DRAWN BY:

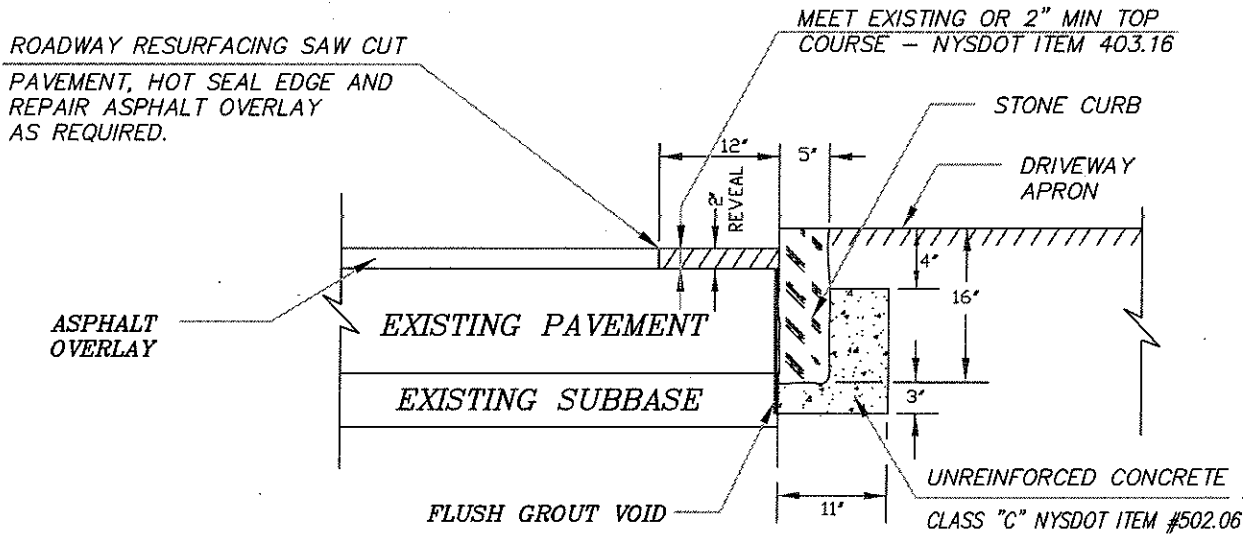
FILENAME.EXT:

PAGE NUMBER:
x of x

SCALE:
N.T.S.



DEPRESSED STONE CURB ELEVATION



DEPRESSED STONE CURB SECTION

COUNTY OF WESTCHESTER
DEPARTMENT OF PUBLIC WORKS
DIVISION OF ROAD MAINTENANCE

WCDPW ROADWAY STANDARD DETAILS
DEPRESSED STONE CURB DETAILS
WESTCHESTER COUNTY, NY

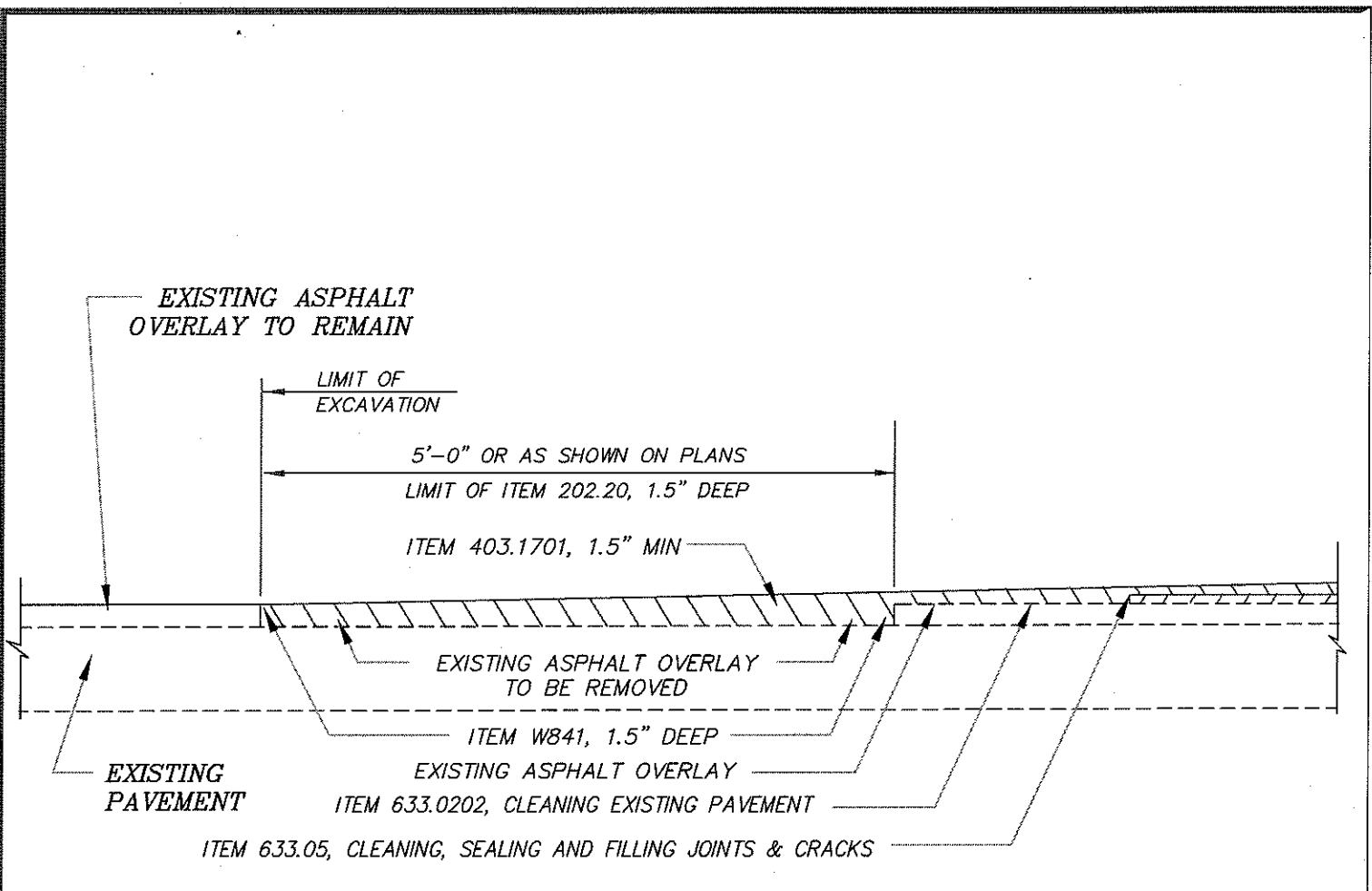
DATE:
10/29/08

DRAWN BY:

FILENAME.EXT:

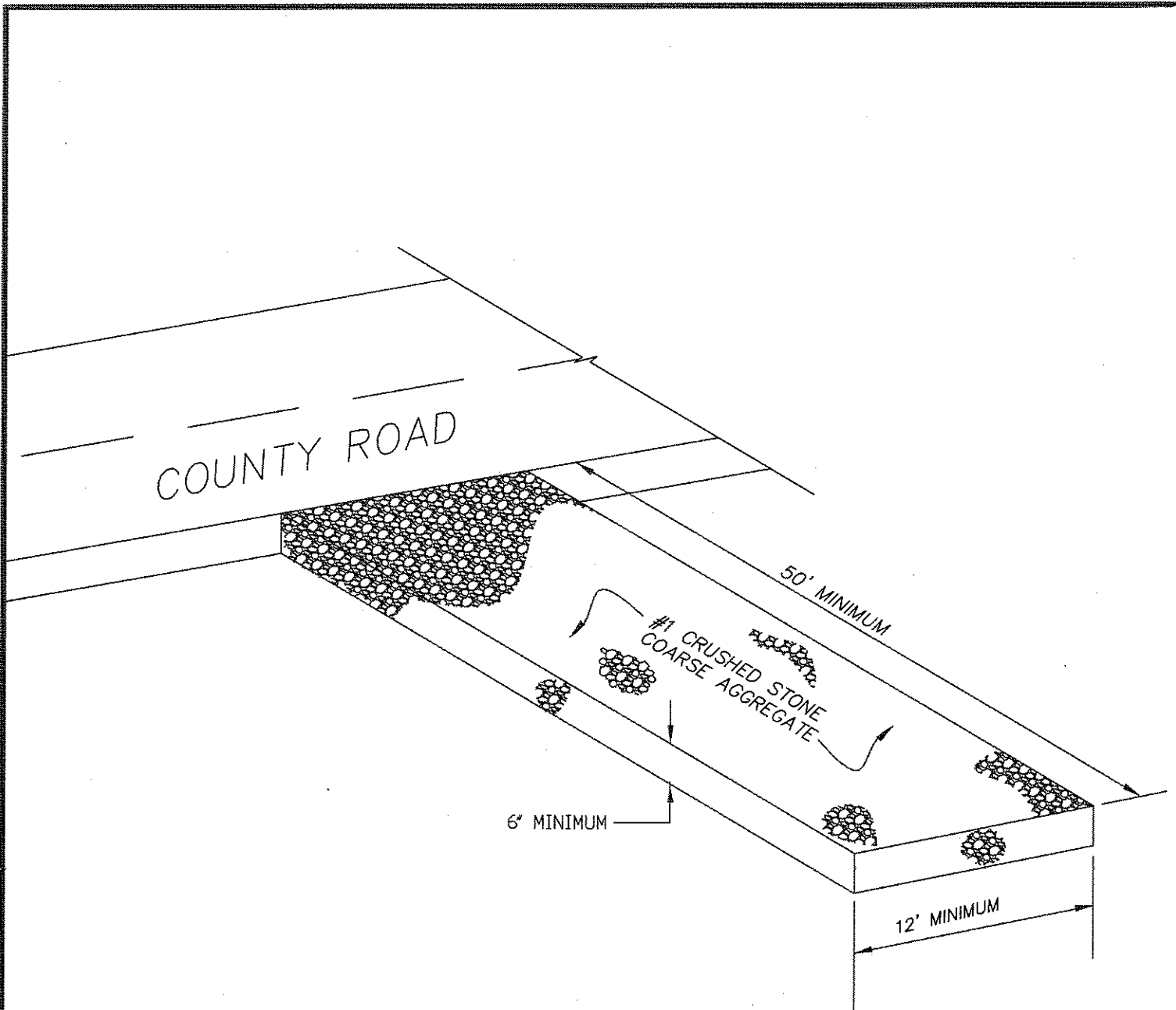
PAGE NUMBER:
x of x

SCALE:
N.T.S.



RESURFACING TRANSITIONS BEGIN AND END RESURFACING

<p style="text-align: center;">COUNTY OF WESTCHESTER DEPARTMENT OF PUBLIC WORKS DIVISION OF ROAD MAINTENANCE</p>	<p>DATE: 10/29/08</p>	<p>PAGE NUMBER: x of x</p>
<p style="text-align: center;">WCDPW ROADWAY STANDARD DETAILS RESURFACING TRANSITION DETAIL WESTCHESTER COUNTY, NY</p>	<p>DRAWN BY:</p>	<p>SCALE: N.T.S.</p>
<p>FILENAME.EXT:</p>		



CONSTRUCTION ENTRANCE

COUNTY OF WESTCHESTER
 DEPARTMENT OF PUBLIC WORKS
 DIVISION OF ROAD MAINTENANCE

WCDPW ROADWAY STANDARD DETAILS
 CONSTRUCTION ENTRANCE
 WESTCHESTER COUNTY, NY

DATE:

10/29/08

PAGE NUMBER:

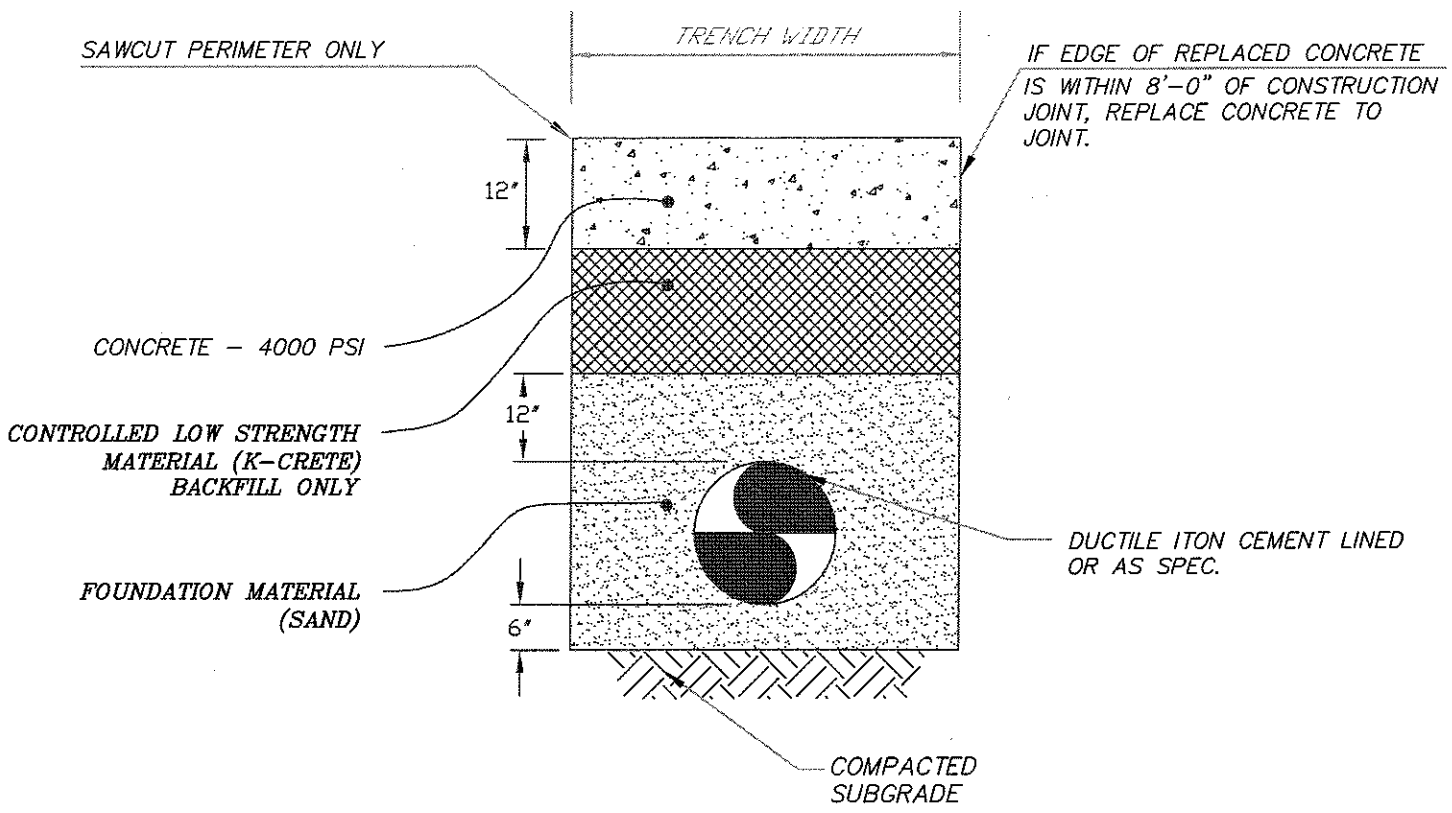
x of x

DRAWN BY:

SCALE:

N.T.S.

FILENAME.EXT:



1. TEMPORARY PAVEMENT REPLACEMENT WILL BE ALLOWED ONLY WHEN ASPHALT PLANTS ARE NOT IN OPERATION. WHEN TEMP. PAVEMENT IS USED, CONTRACTOR SHALL BE RESPONSIBLE FOR MAINTENANCE AND UPKEEP OF SAID PATCH UNTIL PERMENANT PATCH IS INSTALLED.
2. UPON THE AVAILABILITY OF ASPHALT, THE CONTRACTOR SHALL EXCAVATE THE "K-KRETE" BACKFILL TO THE ORDERED DEPTH AND REPLACE WITH 4000 PSI CONCRETE AND THE REQUIRED 2" THICK ASPHALT TO THE LIMITS AND SPECIFICATIONS AS SHOWN.
3. STEEL PLATES OF ADEQUATE SIZE SHALL BE PLACED OVER ALL TRENCHES UNTIL THE 4000 PSI CONCRETE PLUG IS DEEMED PASSABLE.
4. STEEL PLATES SHALL BE PINNED AS REQUIRED TO PREVENT MOVEMENT. DURING WINTER ALL STEEL PLATES SHALL BE RECESSED.

DETAIL OF PERMENANT CONCRETE PAVEMENT REPLACEMENT FOR COUNTY ROADS

COUNTY OF WESTCHESTER DEPARTMENT OF PUBLIC WORKS DIVISION OF ROAD MAINTENANCE	DATE: 10/29/08	PAGE NUMBER: x of x
	DRAWN BY:	SCALE: N.T.S.
WCDPW ROADWAY STANDARD DETAILS PERMENANT CONCRETE PAVEMENT REPLACEMENT DETAILS WESTCHESTER COUNTY, NY		FILENAME.EXT: